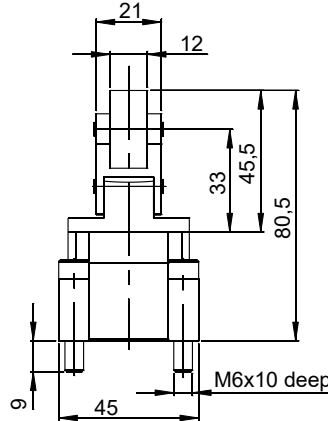
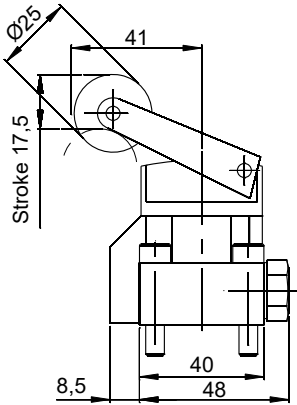
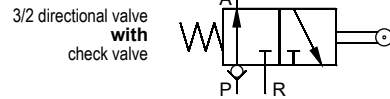
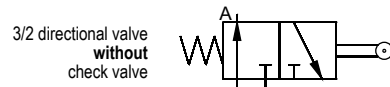
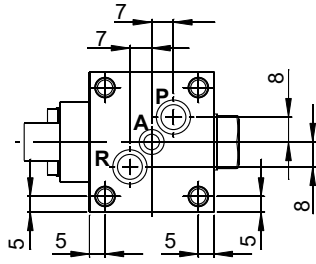


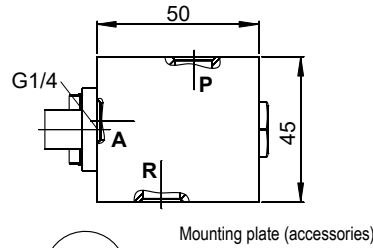
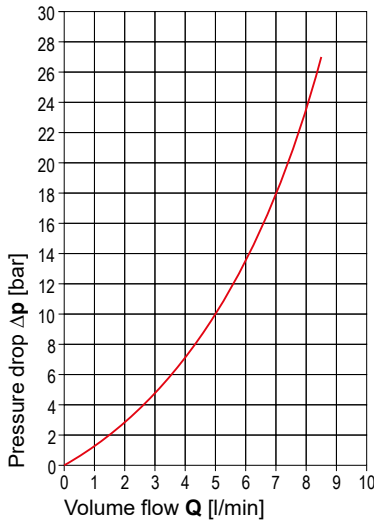
Directional valves

mechanical or manual actuation, ND4, pmax. 500 bar

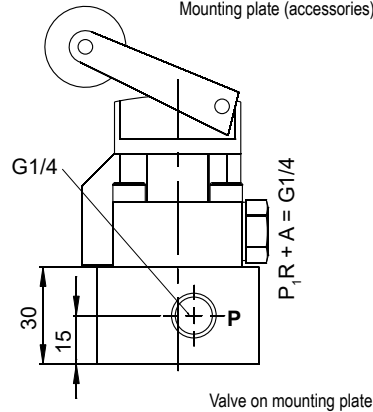
700-40
Issue: 10/2022



Δp -Q nominal line for kinematic viscosity of 53x10⁻⁶ m²/s (HLP 22 at 20° C)



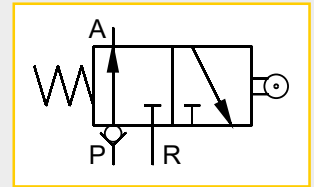
Mounting plate (accessories)



Valve on mounting plate



Webcode: 070040



General information:

Directional valves are based on an almost leak oil-free poppet valve.

The switch position of the mechanical valve is regulated by a sensing roller lever in the operating mechanism.

In the manual valve with rotary handle, the switch position in the operating mechanism is regulated by angle lever and tappet (see page 2).

Directional valves are available as 2/2- and 3/2 designs. With a combination of several valves on a valve plate also 3/3-, 4/3-, 4/2 directional valves can be realized.

In case the directional valves are to be inserted into piping systems, connection blocks can be flanged on. By that, the application range of this series can be expanded by functions like for example pressure control valve or bypass check valve. A combination of several parallel-switched valves is possible.

Single-acting valve combinations are especially suited for multiple clamping systems for the operation of individual clamping spots.

Directional valves with mechanical actuation:

Type	3/2 without check valve	3/2 with check valve
Switching force [N]	25...80	25...80
Switching range [mm]	10,5...30	10,5...30
Max. pressure [bar]	500	500
Max. flow rate [l/min]	8	8
Flow direction	Arrow	Arrow
Medium	HLP 22	HLP 22
Connection type	Mounting plate	Mounting plate
Connection size	G 1/4	G 1/4
Actuation type	mechanical	mechanical
Actuation torque	0,63	0,63
Weight approx. [kg]	0,4	0,4
Order no.	WV-32-500-5-050	WV-32-500-5-051
O-ring Ø 5x1,5 (Spare part for port A)	6008-002	6008-002
O-ring Ø 8x1,5 (Spare part for port P & R)	6011-002	6011-002
Mounting plate (Accessories)	8000-024	8000-024

We also design and manufacture customized variants!

HYDROKOMP®
Hydraulische Komponenten GmbH

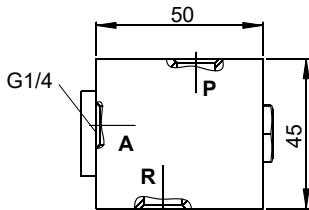
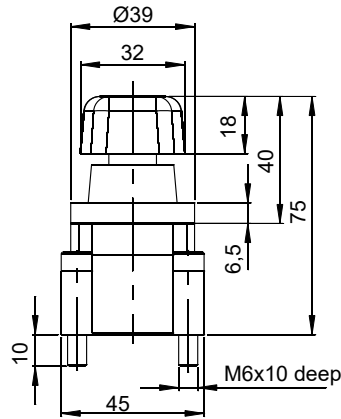
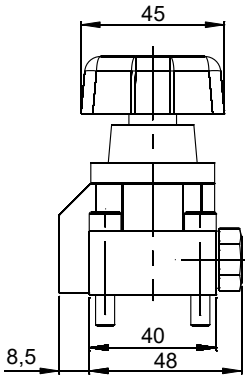
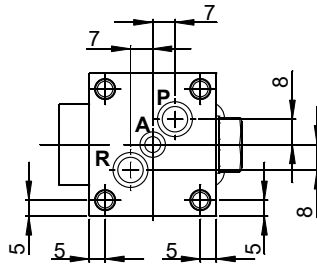
+49 6401 225999-0

sales@hydrokomp.de

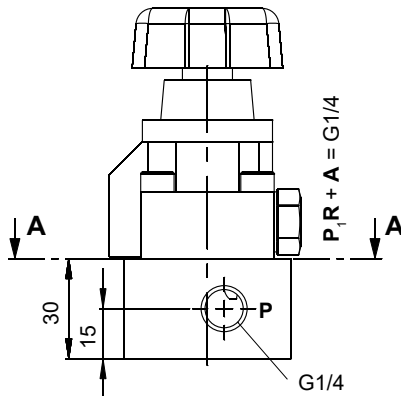
Siemenstr. 16
35325 Mücke (Germany)

www.hydrokomp.de

Technology that connects

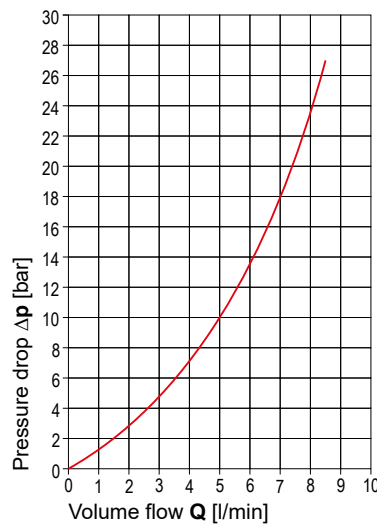


Mounting plate (Accessories)

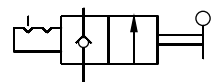


Valve on mounting plate

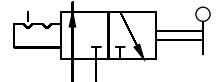
Δp -Q nominal line for kinematic viscosity of $53 \times 10^{-6} \text{ m}^2/\text{s}$ (HLP 22 at 20° C)



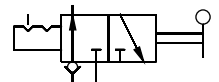
2/2 directional valve without check valve



3/2 directional valve without check valve



3/2 directional valve with check valve



Directional valves with manual actuation

Type		2/2 without check valve	3/2 without check valve	3/2 with check valve
Switching torque	[Ncm]	45...98	45...98	45...98
Max. pressure	[bar]	500	500	500
Max. flow rate	[l/min]	8	8	8
Flow direction		Arrow	Arrow	Arrow
Medium		HLP 22	HLP 22	HLP 22
Connection type		Mounting plate	Mounting plate	Mounting plate
Connection size		G 1/4	G 1/4	G 1/4
Actuation type		manual	manual	manual
Actuation torque		0,63	0,63	0,63
Weight approx.	[kg]	0,4	0,4	0,4
Order no.		WV-22-500-5-001	WV-32-500-5-002	WV-32-500-5-003
O-ring Ø 5x1,5 (Spare part for port A)		6008-002	6008-002	6008-002
O-ring Ø 8x1,5 (Spare part for port P & R)		6011-002	6011-002	6011-002
Mounting plate (Accessories)		8000-024	8000-024	8000-024